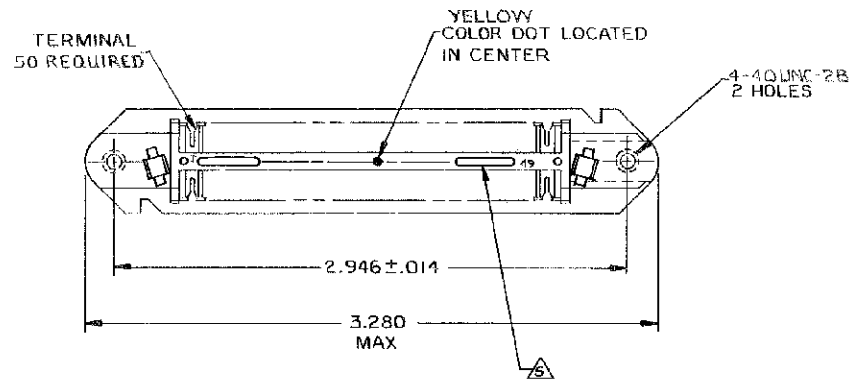
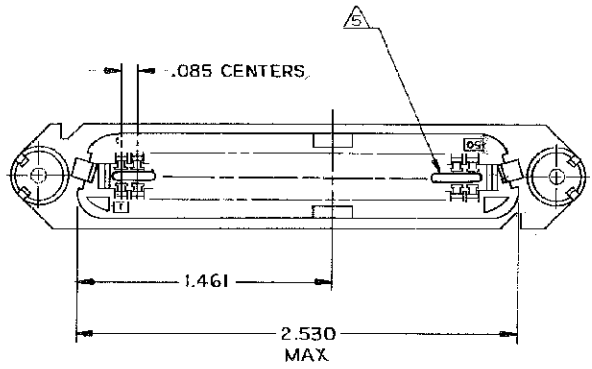
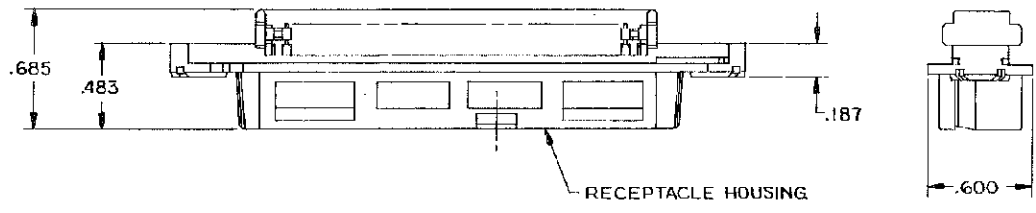


THIS DRAWING IS UNPUBLISHED. RELEASED FOR PUBLICATION  
 © COPYRIGHT BY TYCO ELECTRONICS CORPORATION. ALL RIGHTS RESERVED.

LOC		DIST		REVISIONS			
GP	00	FP	LVR	DESCRIPTION	DATE	OWN	APRO
		S		REVISED PER ECO-08-007327	26JAN2009	ZMR	WLM



1. THE CONTACT SURFACES OF THE TERMINALS ARE COATED WITH LUBRICANT.
2. ALL DIMENSIONS SHOWN ARE FOR REFERENCE ONLY UNLESS OTHERWISE SPECIFIED.
3. MATERIAL:  
HOUSING - THERMOPLASTIC  
TERMINALS - HIGH STRENGTH COPPER ALLOY PLATED WITH EITHER .000030 MIN GOLD OR GOLD FLASH OVER PALLADIUM NICKEL .000030 MIN TOTAL ON CONTACT MATING SURFACE. .000050 MIN NICKEL UNDERPLATE OVER ENTIRE TERMINAL.
4. WIRE SIZE: 26-27-28 AWG 7 STRANDS OF COPPER CONDUCTORS. MAX INSULATION Ø.045 IS ACCEPTABLE FOR MOST APPLICATIONS.
5. CORING MAY OR MAY NOT APPEAR AND IS AT THE DISCRETION OF TYCO ELECTRONICS.



BLACK	552391-1
COLOR	PART NO

THIS DRAWING IS A CONTROLLED DOCUMENT.		OWN STEPHEN DOSS 2-12-80	Tyco Electronics Corporation Harrisburg, PA 17105-3608
		CHK V.E. SLACK 2-14-80	
DIMENSIONS: INCHES		APRO B.G. WARD 2-15-80	NAME
TOLERANCES UNLESS OTHERWISE SPECIFIED:		RECEPTACLE ASSY, 50 POSITIONS, E SLOT W/ 4-4D HOLES, CHAMP-LOK	
0 PLC ± -	1 PLC ± -	PRODUCT SPEC	
2 PLC ± -	3 PLC ± -	APPLICATION SPEC	
4 PLC ± -	ANGLES ± -	RESTRICTED TO	
MATERIAL	FINISH	SIZE A2	DATE CODE 00779
CUSTOMER DRAWING		DRAWING NO C=552391	REVISIONS
SCALE NTS		SHEET 1 of 1	REV S